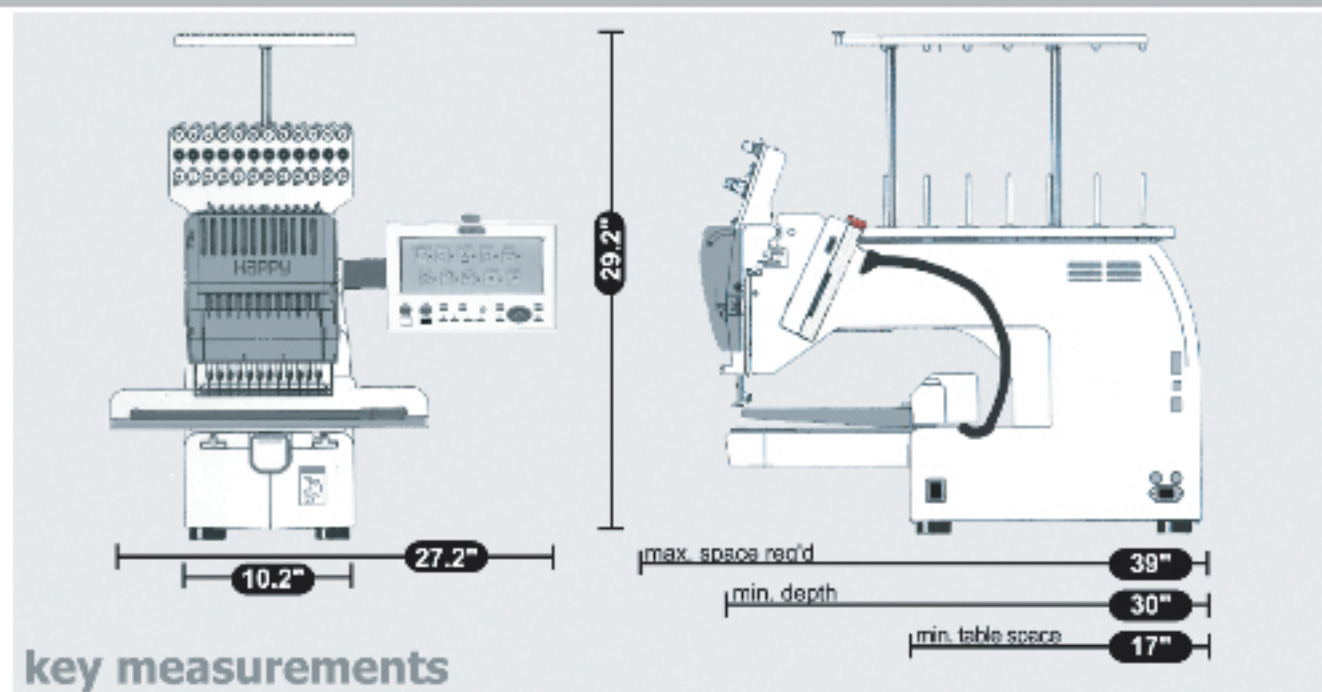


HCS-1201 Voyager Full Specifications Page



Specifications:

Needle Distance	Max Speed	Max Speed (caps)	Size LWH (inch)	Shipping box LWH (inch)	Weight lb
360	1000	750	34X46X17	36 x 27 x 20	88

Embroidery Area (DxW: mm/inches)

Head	Needles	Normal	Tubular Frame	Wide Cap Frame	Low-Profile Cap Frame	Stitch Length
1	12	360x360	320 x 320 13 x 13	290 x 72 12 x 3	180 x 72 8 x 3	1.0mm - 12.7mm

Memory	Power Supply	Frequency
239,000 stitches or 99 designs	110V	60hz

Included Hoops		Machine Connections	
<i>type</i>	<i>size</i>		
tubular/square	12" x 12"	direct PC connect	serial, USB, LAN
tubular/round	4.75" x 4.75"	media types	CF card, USB "thumb" drive